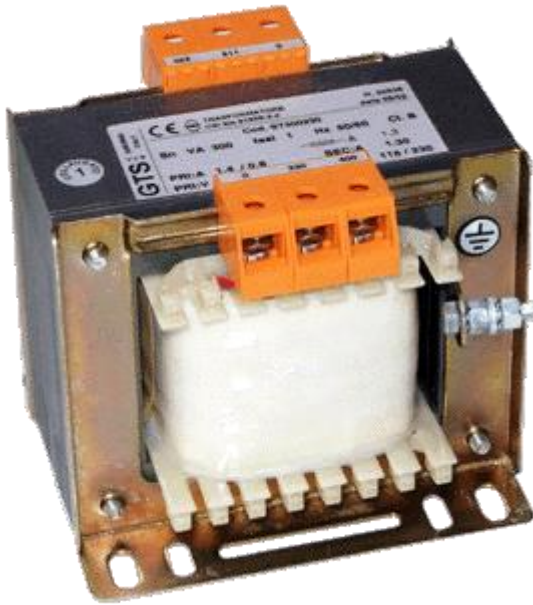


SINGLE-PHASE TRANSFORMERS "STANDARD"



Isolating and safety isolating transformers (IEC 61558-2-4 and IEC 61558-2-6 STANDARDS) always available on stock and with the following specifications:

RATED OUTPUT (VA):

30 - 50 - 100 - 150 - 230 - 300 - 450 - 630 - 1000

(Rated output is related at the maximum secondary voltage, intermediate voltage is a tapping)

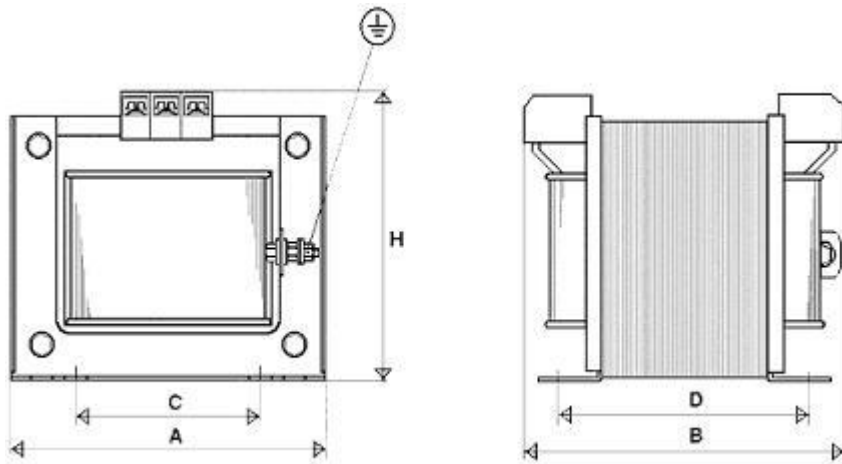
RATED SUPPLY VOLTAGE : V 230/400 HZ 50/60

**RATED OUTPUT VOLTAGE CAN BE CHOSEN IN THIS RANGE :
V 12/24 - V 24/48 - V 57,5/115 - V 115/230**

INSULATION SYSTEM : **CLASS "B"** (130°C)

PROTECTION AGAINST ELECTROSHOCK : **CLASS "I"**
(protective earthing terminal shall be earthed).

PROTECTION INDEX : **"IP00"**



| RATED OUPUT VA | DIMENSIONS mm. | | | | | Weight Kg. |
|---------------------------|----------------|-----|-----|----------|-----|---------------|
| | A | B | H | C | D | |
| 30 * | 77 | 85 | 80 | 45 / 63 | 44 | 1,1 |
| 50 * | 86 | 90 | 87 | 70 | 49 | 1,5 |
| 100 * | 102 | 94 | 98 | 57 / 80 | 52 | 2,2 |
| 150 * | 102 | 107 | 98 | 57 / 80 | 65 | 2,8 |
| 230 | 123 | 101 | 112 | 70 / 100 | 70 | 3,9 |
| 300 | 123 | 111 | 112 | 70 / 100 | 80 | 4,8 |
| 450 | 123 | 140 | 112 | 70 / 100 | 110 | 7,2 |
| 630 | 154 | 128 | 141 | 94 / 125 | 102 | 9,0 |
| 630 (V 12/24) | 154 | 154 | 157 | 94 / 125 | 102 | 9,0 |
| 1000 | 154 | 158 | 141 | 94 / 125 | 134 | 13,1 |
| 1000 (V 12/24) | 154 | 184 | 155 | 94 / 125 | 134 | 13,1 |

* protective earthing terminal at the top on the left

THESE DIMENSIONS ARE INDICATIVES.
COULD CHANGE WITHOUT NOTICE.