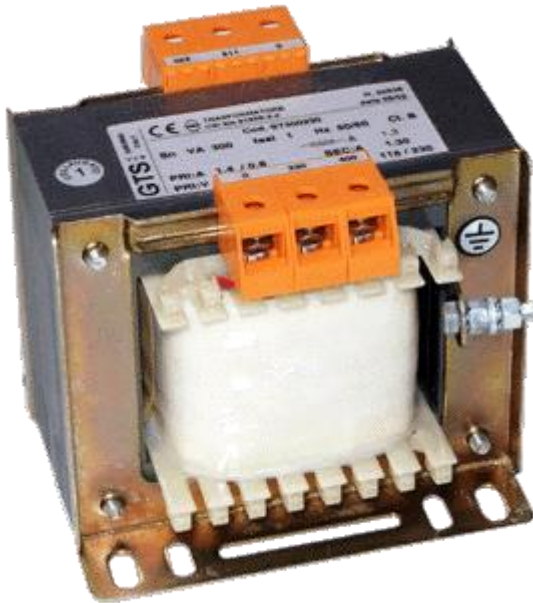


SINGLE-PHASE TRANSFORMERS "STANDARD"



Isolating and safety isolating transformers (IEC 61558-2-4 and IEC 61558-2-6 STANDARDS) always available on stock and with the following specifications:

RATED OUTPUT (VA):

30 - 50 - 100 - 150 - 230 - 300 - 450 - 630 - 1000

(Rated output is related at the maximum secondary voltage, intermediate voltage is a tapping)

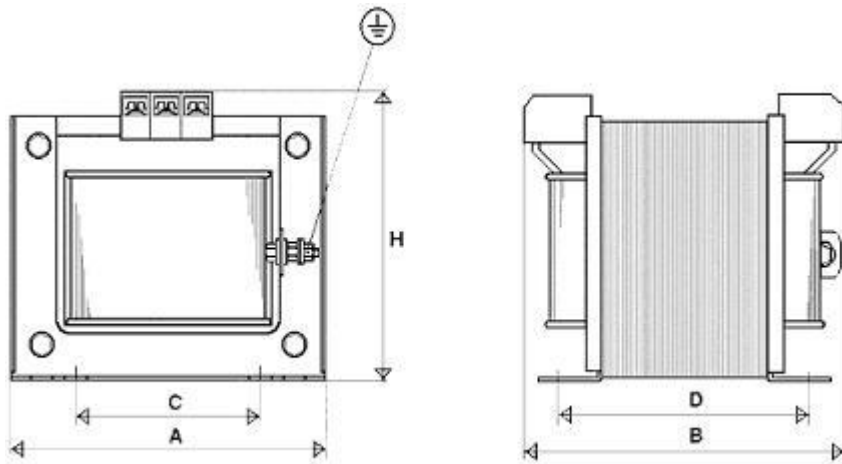
RATED SUPPLY VOLTAGE : V 230/400 HZ 50/60

**RATED OUTPUT VOLTAGE CAN BE CHOSEN IN THIS RANGE :
V 12/24 - V 24/48 - V 57,5/115 - V 115/230**

INSULATION SYSTEM : **CLASS "B"** (130°C)

PROTECTION AGAINST ELECTROSHOCK : **CLASS "I"**
(protective earthing terminal shall be earthed).

PROTECTION INDEX : **"IP00"**



RATED OUPUT VA	DIMENSIONS mm.					Weight Kg.
	A	B	H	C	D	
30 *	77	85	80	45 / 63	44	1,1
50 *	86	90	87	70	49	1,5
100 *	102	94	98	57 / 80	52	2,2
150 *	102	107	98	57 / 80	65	2,8
230	123	101	112	70 / 100	70	3,9
300	123	111	112	70 / 100	80	4,8
450	123	140	112	70 / 100	110	7,2
630	154	128	141	94 / 125	102	9,0
630 (V 12/24)	154	154	157	94 / 125	102	9,0
1000	154	158	141	94 / 125	134	13,1
1000 (V 12/24)	154	184	155	94 / 125	134	13,1

* protective earthing terminal at the top on the left

THESE DIMENSIONS ARE INDICATIVES.
COULD CHANGE WITHOUT NOTICE.