

GTS

TRANSFORMERS



TRANSFORMERS

AUTOTRANSFORMERS

REACTORS

QUALITY GUARANTEE

RELIABILITY

SAFETY

AN ANSWER TO ANY NEED



GTS Transformers was founded in 1963 and for 50 years has always been involved in the field of transformers and associated equipment. It has consolidated its position in the field of **special transformer production**.

The improved organization and production planning, combined with a flexible approach, typical of a small company, allow us to satisfy the wide range of customers demands with efficiency, guarantee of reliability and in a timely manner.

Our pool of specialists is also available for advise and cooperation on the design and manufacture of tailor made products.

GTS Transformers has always been promoting a philosophy of total quality to guarantee a secure and reliable product. Through the Quality Management System in line with the **UNI EN ISO 9001** all business activities develop in a safe and qualitative way. This allows continuous improvement to meet the **customer satisfaction**.

GTS Transformers also contribute to the **safeguard of the environment**, using only resins with the lowest environmental impact, developing and producing high efficiency products with low losses and long-term savings in energy.

G.T.S. ELETTROTECNICA S.R.L.

VIA E.H. GRIEG, 20 21047 SARONNO -VA- ITALY
Tel. +39 02 960 00 01 Fax +39 02 962 67 77
www.gts-srl.it e-mail info@gts-srl.it

COMPANY WITH
QUALITY SYSTEM
CERTIFIED BY DNV GL
= ISO 9001 =



PRODUCTS

GTS Transformers has consolidated its position in the field of **special transformer production**.

Our pool of specialists is available for advise and cooperation on the design and manufacture of tailor made products.

Our products are used in several fields including :

Industrial Automation - drives and inverter - commutation -
electromedical - power electronics - eolic and photovoltaic systems -
galvanic - AC / DC filtering - machine tools - Ups.

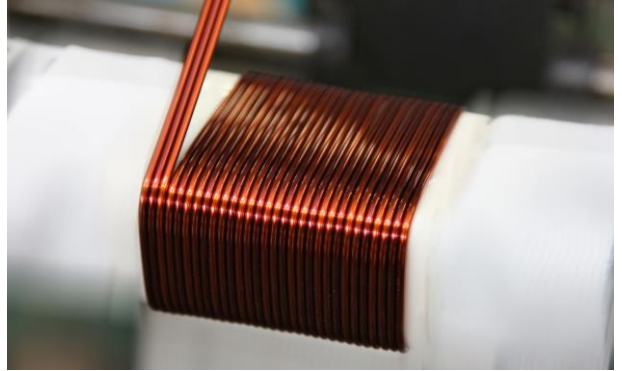
GTS Transformers builds products in accordance with the European and IEC standards.

The transformers are usually manufactured in accordance with ISOLATING TRANSFORMERS STANDARD (IEC 61558-2-4) and SAFETY ISOLATING TRANSFORMERS STANDARD (IEC 61558-2-6). When the product do not comply in the field of application of these standards, one applies the standard related to the specifications.

Different standards will be evaluated.

On request we are able to supply products in compliance with UL and CSA standards.

These items are supplied with UL file E309865 or insulation system class 155(F) marked UL file E231988.



A testing sheet, issued per job lot, attests the compliance with the standards and the test of each product.

The materials employed for the production are the best available :

- Winding wires of the best brand .
- Low losses cores to obtain compact dimensions and lower waste of energy.
- Galvanized metal accessories.
- Treatment with resins which allow a better thermal performance and reliability in humid climate .

PRODUCTS:

• SINGLE-PHASE STANDARD TRANSFORMERS:

are ISOLATING and SAFETY ISOLATING transformers with standard voltages and ratings, always on stock.

• SINGLE-PHASE TRANSFORMERS :

- Type "EI" CORE
- Type "UI" CORE
- Type TOROIDAL

• THREE-PHASE TRANSFORMERS FOR INDUSTRIAL AND PHOTOVOLTAIC APPLICATION.

• THREE-SINGLE PHASE TRANSFORMERS.

• THREE-SIX PHASE TRANSFORMERS.

Used for rectifier applications.

• TRANSFORMERS FOR SUPPLY OF MEDICAL ELECTRICAL EQUIPMENT OR ISOLATING TRANSFORMERS FOR THE SUPPLY OF MEDICAL ROOMS.

• AUTOTRANSFORMERS single and three-phase.

• TRANSFORMERS IN RESIN.

• TRANSFORMERS IN BOX.

• INDUCTORS AND CHOKES.

Detailed technical informations of the products are available on request.

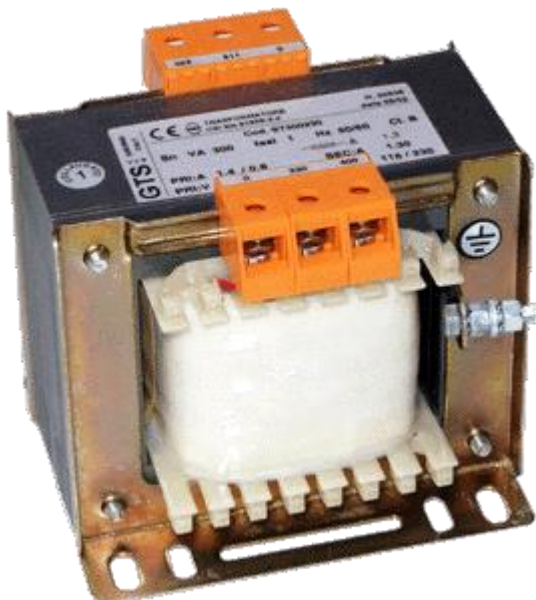


G.T.S. elettrotecnica s.r.l.

www.gts-srl.it e-mail: info@gts-srl.it

COMPANY WITH
QUALITY SYSTEM
CERTIFIED BY DNV GL
= ISO 9001 =

SINGLE-PHASE TRANSFORMERS "STANDARD"



Isolating and safety isolating transformers (IEC 61558-2-4 and IEC 61558-2-6 STANDARDS) always available on stock and with the following specifications:

RATED OUTPUT (VA):

30 - 50 - 100 - 150 - 230 - 300 - 450 - 630 - 1000

(Rated output is related at the maximum secondary voltage, intermediate voltage is a tapping)

RATED SUPPLY VOLTAGE : V 230/400 HZ 50/60

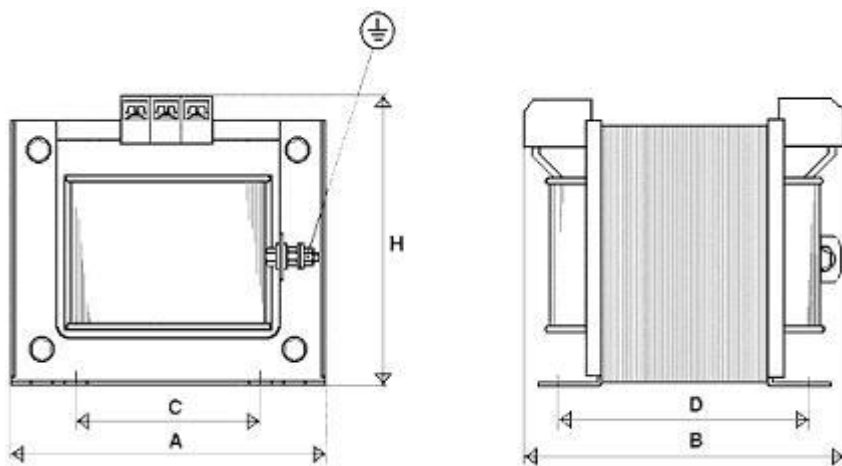
RATED OUTPUT VOLTAGE CAN BE CHOSEN IN THIS RANGE :

V 12/24 - V 24/48 - V 57,5/115 - V 115/230

INSULATION SYSTEM : CLASS "B" (130°C)

PROTECTION AGAINST ELECTROSHOCK : CLASS "I"
(protective earthing terminal shall be earthed).

PROTECTION INDEX : "IP00"



RATED OUTPUT	DIMENSIONS mm.					Weight
VA	A	B	H	C	D	Kg.
30 *	77	85	80	45 / 63	44	1,1
50 *	86	90	87	70	49	1,5
100 *	102	94	98	57 / 80	52	2,2
150 *	102	107	98	57 / 80	65	2,8
230	123	101	112	70 / 100	70	3,9
300	123	111	112	70 / 100	80	4,8
450	123	140	112	70 / 100	110	7,2
630	154	128	141	94 / 125	102	9,0
630 (V 12/24)	154	154	157	94 / 125	102	9,0
1000	154	158	141	94 / 125	134	13,1
1000 (V 12/24)	154	184	155	94 / 125	134	13,1

* protective earthing terminal at the top on the left

THESE DIMENSIONS ARE INDICATIVES.
COULD CHANGE WITHOUT NOTICE.

EI CORE SINGLE-PHASE TRANSFORMERS



Single-phase transformers usually manufactured in accordance with **isolating** and **safety isolating transformers** (IEC 61558-2-4 and IEC 61558-2-6 standards).

When the products do not comply in the field of the application of these standards, one applies the standards related to the specifications.

- These transformers are produced under specification of the customer .
- INSULATION SYSTEM : **CLASS "B"** (130° C) or different if required
- PROTECTION AGAINST ELECTROSHOCK : **CLASS " I "**
(protective earthing terminal shall be earthed).
- **PROTECTION** INDEX : **" IP00 "** or different if required

ON REQUEST we are able to supply :

- PRODUCTS IN COMPLIANCE WITH UL AND CSA STANDARDS:
UL FILE E309865 ;
INSULATION SYSTEM CLASS 155(F) MARKED UL FILE E231988.
- TRANSFORMERS IN ACCORDANCE WITH MEDICAL ELECTRICAL EQUIPMENT STANDARDS (IEC 60601-1).
- ISOLATING TRANSFORMERS FOR THE SUPPLY OF MEDICAL ROOMS (IEC 61558-2-15).
- METAL SCREEN.
- SELF-RESETTING THERMAL CUT-OUT.
- FUSE HOLDERS TERMINALS.
- BOXES WITH PROTECTION INDEX REQUIRED.



UI CORE SINGLE-PHASE TRANSFORMERS



Single-phase transformers usually manufactured in accordance with **isolating** and **safety isolating transformers** (IEC 61558-2-4 and IEC 61558-2-6 standards).

When the products do not comply in the field of the application of these standards, one applies the standards related to the specifications.

- These transformers are produced under specification of the customer .
- INSULATION SYSTEM : **CLASS "F"** (155° C) or different if required
- PROTECTION AGAINST ELECTROSHOCK : **CLASS " I "**
(protective earthing terminal shall be earthed).
- **PROTECTION** INDEX : **" IP00 "** or different if required

ON REQUEST we are able to supply :

- PRODUCTS IN COMPLIANCE WITH UL AND CSA STANDARDS :
UL FILE E309865 ;
INSULATION SYSTEM CLASS 155(F) MARKED UL FILE E231988.
- TRANSFORMERS IN ACCORDANCE WITH MEDICAL ELECTRICAL EQUIPMENT STANDARDS (IEC 60601-1).
- ISOLATING TRANSFORMERS FOR THE SUPPLY OF MEDICAL ROOMS (IEC 61558-2-15).
- METAL SCREEN.
- SELF-RESETTING THERMAL CUT-OUT.
- FUSE HOLDERS TERMINALS.
- BOXES WITH PROTECTION INDEX REQUIRED.



DRY-TYPE THREE-PHASE TRANSFORMERS



Three-phase transformers usually manufactured in accordance with **isolating** and **safety isolating transformers** (IEC 61558-2-4 and IEC 61558-2-6 standards).

When the products do not comply in the field of the application of these standards, one applies the standards related to the specifications.

- These transformers are produced under specification of the customer .
- INSULATION SYSTEM : **CLASS "B"** (130° C) up till 2500VA
CLASS "F" (155° C) over 2500VA
or different if required
- PROTECTION AGAINST ELECTROSHOCK : CLASS " I " (protective earthing terminal shall be earthed).
- **PROTECTION INDEX** : " **IP00** "

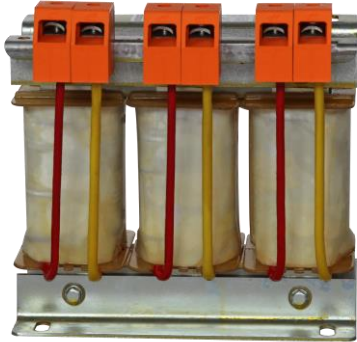
ON REQUEST we are able to supply :

- HIGH EFFICIENCY FOR PHOTOVOLTAIC SYSTEMS
- PRODUCTS IN COMPLIANCE WITH UL AND CSA STANDARDS:
UL FILE E309865 ;
INSULATION SYSTEM CLASS 155(F) MARKED UL FILE E231988.
- TRANSFORMERS IN ACCORDANCE WITH MEDICAL ELECTRICAL EQUIPMENT STANDARDS (IEC 60601-1).
- ISOLATING TRANSFORMERS FOR THE SUPPLY OF MEDICAL ROOMS (IEC 61558-2-15).
- METAL SCREEN.
- SELF-RESETTING THERMAL CUT-OUT.
- FUSE HOLDERS TERMINALS.
- BOXES WITH PROTECTION INDEX REQUIRED.



DRY-TYPE IRON CORE AND AIR CORE REACTORS

Single-phase, double-phase and three-phase reactors. IRON CORED or AIR CORED reactors.



These products are produced under specification of the customer.

These reactors find application in several fields, for example :

- AC / DC Filtering
- Commutation
- Current / Fault limitation
- Drives and inverter
- Eolic and photovoltaic systems
- Power factor correction systems
- Starting motor reactors
- UPS

Years of experience allows thorough and reliable production.

Windings manufactured with multiple conductor or strip copper or aluminium and stainless steel or aluminium frames, permit to minimize eddy current and additional losses.



STANDARDS:

- **IEC 61558-2-20** for reactors having:
 - rated supply voltage not exceeding 1000V
 - rated frequency not exceeding 1MHz
 - rated power not exceeding 2 KVAR for single-phase reactors
10 KVAR for poly-phase reactors.
- **IEC 60076-6** for reactors different from the items above mentioned.

INSULATION SYSTEM : Class "F" (155° C) or different if require.

ON REQUEST we are able to supply :

- PRODUCTS IN COMPLIANCE WITH UL AND CSA STANDARDS:
UL FILE E309865 ;
INSULATION SYSTEM CLASS 155(F) MARKED UL FILE E231988
- SELF-RESETTING THERMAL CUT-OUT.
- BOXES WITH PROTECTION INDEX REQUIRED.



TOROIDAL TRANSFORMERS



Single-phase transformers manufactured in accordance with **isolating** and **safety isolating transformers** (IEC 61558-2-4 and IEC 61558-2-6 standards).

When the products do not comply in the field of the application of these standards, one applies the standards related to the specifications.

These transformers are produced under specification of the customer .

INSULATION SYSTEM : **CLASS "B" (130°C)**
or different if required

